



Center for Academic Resources in Engineering (CARE) Peer Exam Review Session

Phys 212 – University Physics: Electricity and Magnetism

Midterm 1 Worksheet

The problems in this review are designed to help prepare you for your upcoming exam. Questions pertain to material covered in the course and are intended to reflect the topics likely to appear in the exam. Keep in mind that this worksheet was created by CARE tutors, and while it is thorough, it is not comprehensive. In addition to exam review sessions, CARE also hosts regularly scheduled tutoring hours.

Tutors are available to answer questions, review problems, and help you feel prepared for your exam during these times:

Session 1: Feb. 12, 5-7pm Ray, Devansh, Krish

Session 2: Feb. 14, 6:30-8:30 pm Jung Ki, Sahilkrishna, Ray

Can't make it to a session? Here's our schedule by course:

<https://care.grainger.illinois.edu/tutoring/schedule-by-subject>

Solutions will be available on our website after the last review session that we host.

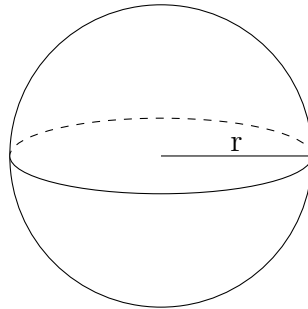
Step-by-step login for exam review session:

1. Log into Queue @ Illinois: <https://queue.illinois.edu/q/queue/848>
2. Click “New Question”
3. Add your NetID and Name
4. Press “Add to Queue”

Please be sure to follow the above steps to add yourself to the Queue.

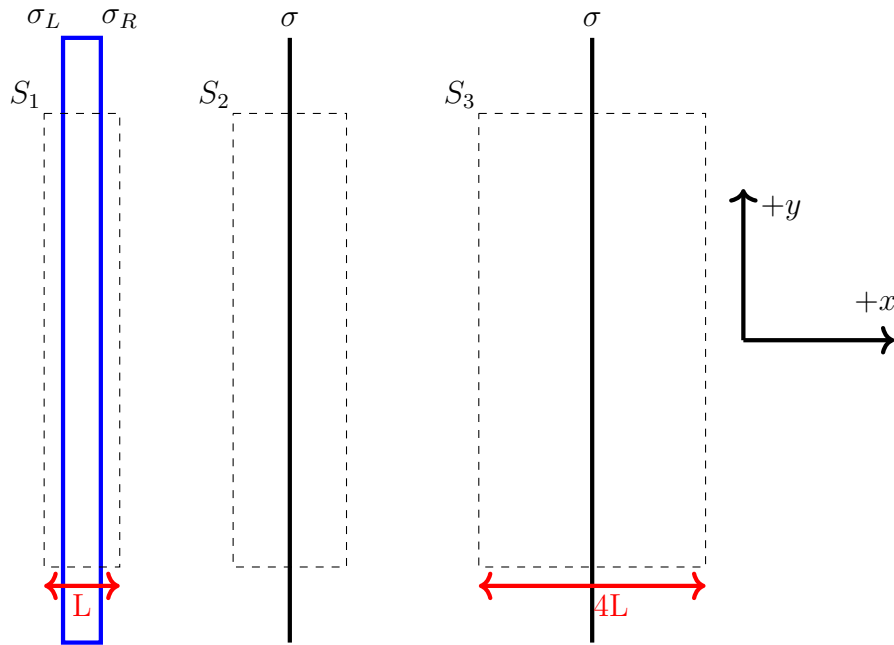
Good luck with your exam!

1. A solid spherical conductor centered at the origin has radius $r = 90$ cm and carries a total positive charge $Q = 9 \mu\text{C}$



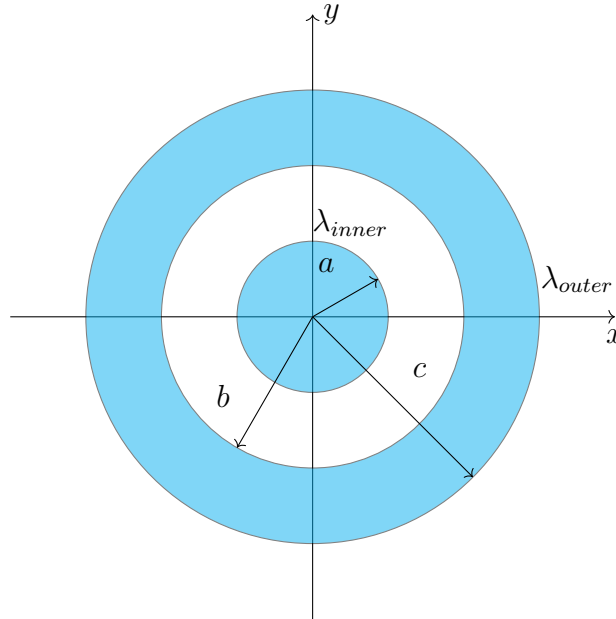
- (i) What is the magnitude of the electric field, $|E|$, at a radius of 1.7 m from the origin
- $|E| = 28000$ N/C
 - $|E| = 1.75 \times 10^5$ N/C
 - $|E| = 1 \times 10^5$ N/C
- (ii) If we define the electric potential to be zero at infinity, what is the potential V at a radius of 1.7 m from the origin? (Note: this is outside of the conducting sphere)
- $V = -47650$ Volts
 - $V = 90000$ Volts
 - $V = 47650$ Volts
 - $V = -90000$ Volts
 - $V = 0$ Volts
- (iii) If we define the electric potential V to be zero at infinity, what is the potential at a radius of 0.15 m from the origin? (Note: this is inside the conducting sphere)
- 540000 Volts
 - 540000 Volts
 - 90000 Volts
 - 90000 Volts
 - 0 Volts
- (iv) What would the answer to problem (iii) be if the sphere were an insulator instead of a conductor
- 90000 Volts
 - 90000 Volts
 - 164000 Volts
 - 164000 Volts
 - 134000 Volts
 - 134000 Volts

2. The figure shows three infinite planes. The right two planes are insulating with uniform charge and density $\sigma = 7 \text{ C/m}^2$. The left plane is uncharged ($\sigma_L + \sigma_R = 0$) and conducting. Also shown in the figure are three Gaussian surfaces labeled S_1 , S_2 and S_3 . All three Gaussian surfaces have identical dimensions in the yz plane, but surface S_3 is 4 times as wide in the x -direction.



- (i) What is the induced charge on the right side of the conducting slab?
- $\sigma_R = -7 \text{ C/m}^2$
 - $\sigma_R = -14 \text{ C/m}^2$
 - $\sigma_R = -3.5 \text{ C/m}^2$
- (ii) Compare the total flux through Gaussian surface S_1 with the total flux through surface S_3
- $\Phi_1 < \Phi_3$
 - $\Phi_1 = \Phi_3$
 - $\Phi_1 > \Phi_3$
- (iii) Compare the total flux through Gaussian surface S_2 with the total flux through the surface S_3
- $\Phi_2 = \Phi_3$
 - $\Phi_2 < \Phi_3$
 - $\Phi_2 > \Phi_3$

3. A solid, infinite metal cylinder of radius $a = 2$ cm is centered on the origin, and has charge density $\lambda_{inner} = -10$ nC/cm. Surrounding this cylinder is a cylindrical metal shell of inner radius $b = 5$ cm and outer radius $c = 7.5$ cm. This shell is also centered on the origin, and has total charge density $\lambda_{shell} = +5$ nC/cm.

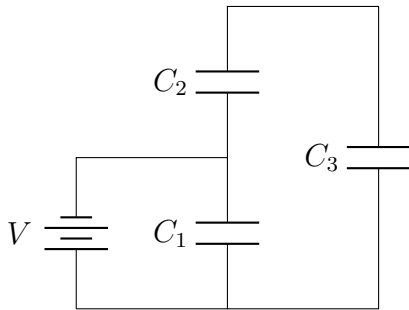


- (i) Find the potential difference $V_a - V_c$ between the surface of metal cylinder ($r = a$) and the outer surface of the metal shell ($r = c$).
- 16.5 kV
 - 8.7 kV
 - 0 kV
 - 8.7 kV
 - 16.5 kV
- (ii) What is the linear charge density, $\lambda_{shell-outer}$, on the outer surface of the cylinder shell?
- 5 nC/cm
 - 3 nC/cm
 - 3 nC/cm
 - 0 nC/cm
 - 5 nC/cm
- (iii) What is the surface charge density, σ , on the inner solid metallic cylinder which has radius a ?
- 0
 - 0.80 nC/cm²
 - 4.44 nC/cm²
 - .80 nC/cm²

e) 4.44 nC/cm^2

- (iv) If the inner cylinder is connected to ground, the charge density on the inner surface of the outer shell will
- Remain unchanged
 - Decrease in magnitude
 - Increase in magnitude
 - Be zero

4. The circuit below contains 3 capacitors, all of initial value $C = 4 \mu\text{F}$. The voltage source is 10 V .



- (i) What is the charge on the capacitor C_1 ?
- $18.3 \mu\text{C}$
 - $21.4 \mu\text{C}$
 - $40.0 \mu\text{C}$
 - $0 \mu\text{C}$
 - $12.0 \mu\text{C}$
- (ii) What is the charge on the capacitor C_2 ?
- $20.0 \mu\text{C}$
 - $19.3 \mu\text{C}$
 - $7.9 \mu\text{C}$
 - $25.6 \mu\text{C}$
 - $25.0 \mu\text{C}$
- (iii) Now suppose C_3 is removed and C_2 is modified by filling it with a dielectric material with constant $\kappa = 5$. How does the charge Q_2 change?
- Q_2 decreases
 - Q_2 stays the same

- c) Q_2 increases
- (iv) Now add C_3 back while the dielectric with constant $\kappa = 5$ is kept in C_2 . How does the charge Q_3 change from when there was no dielectric?
- a) Q_3 decreases because the capacitance of C_3 decreases relative to that of C_2
 - b) Q_3 stays the same because the charge of capacitors in series is the same
 - c) Q_3 increases because the capacitance of C_2 increases
- (v) How does the charge on C_1 change when C_2 is modified by filling it with a dielectric with constant $\kappa = 5$?
- a) Q_1 decreases because the capacitance of C_1 decreases relative to that of C_2
 - b) Q_1 stays the same because the voltage across C_1 is the same as it was originally
 - c) Q_1 increases because the effective capacitance of C_2 and C_3 part of the circuit increases