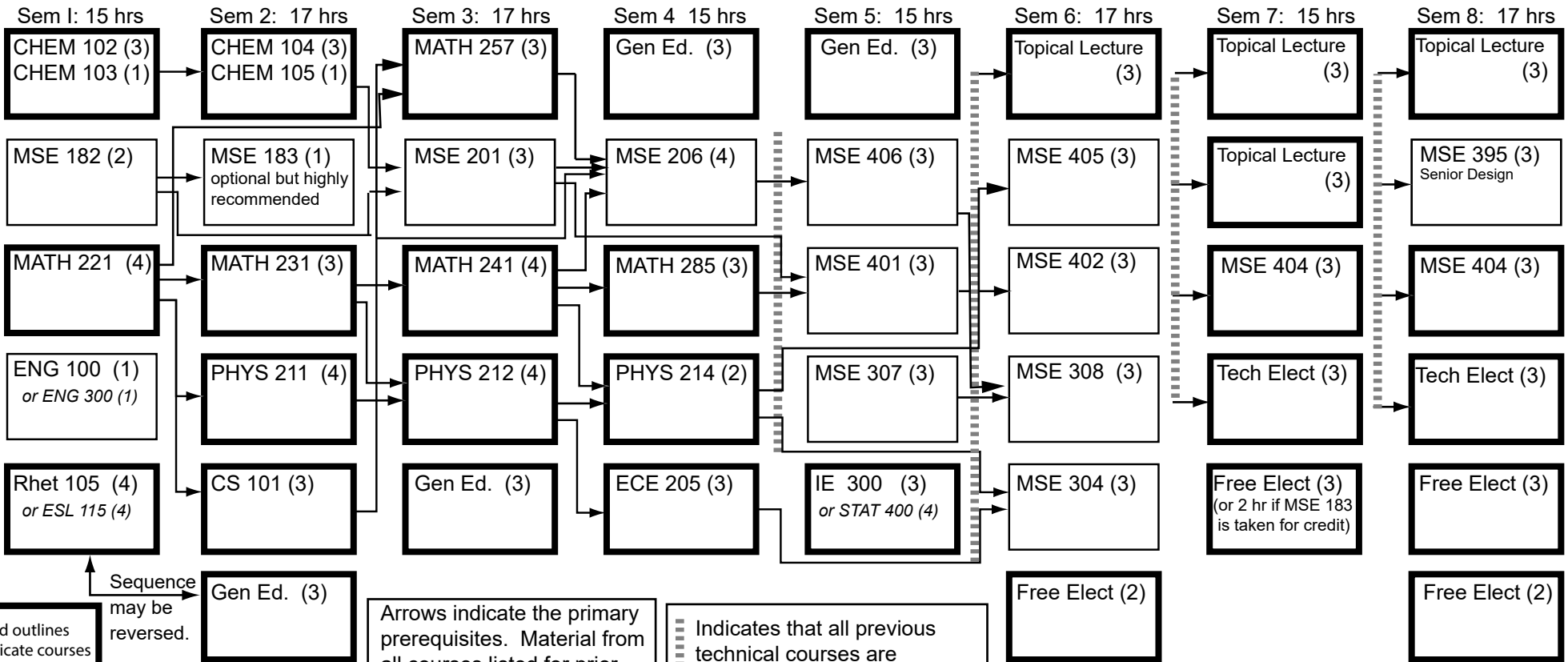


# Materials Science and Engineering Curriculum Map (Entering ≥ Fall 2022, All Materials)

Name: \_\_\_\_\_



Sequence may be reversed.

**Bold outlines indicate courses available every semester.**

Arrows indicate the primary prerequisites. Material from all courses listed for prior semesters may be used.

Indicates that all previous technical courses are expected for following courses.

<https://go.matse.illinois.edu/TopicalLecture>  
<https://go.matse.illinois.edu/TechElectives>

### Elective Courses:

Humanities & Arts #1: \_\_\_\_\_

Humanities & Arts #2: \_\_\_\_\_

Social/behavioral science #1: \_\_\_\_\_

Social/behavioral science #2: \_\_\_\_\_

Free Elective #1: \_\_\_\_\_

Free Elective #2: \_\_\_\_\_

Free elective #3: \_\_\_\_\_

Free elective #4: \_\_\_\_\_

### Other requirements:

- Western culture?
- Non-western culture?
- U.S. Minority culture?
- Foreign language?
- Composition I? (RHET 105)
- Composition II? (MSE 307/308)

### Options to think about:

Coop/Internship? [Semester: \_\_\_\_\_ at \_\_\_\_\_]

Study abroad? [Semester: \_\_\_\_\_ at \_\_\_\_\_]

Research experience?

*What are you doing with summers?  
 How about a research or internship experience?  
 Sophomore year is a great time to study abroad.  
 Doing a minor? Plan ahead to avoid duplication.*

### James Scholar?

Freshman honors: \_\_\_\_\_

Sophomore honors: \_\_\_\_\_

Honors contract done? (by Sem 4)

Learn more about:

Technology & Management Program: <https://techmgmt.illinois.edu/>  
 Technology Entrepreneur Center: <https://tec.illinois.edu/>

<https://advising.grainger.illinois.edu/degree-requirements>  
<https://courses.illinois.edu>